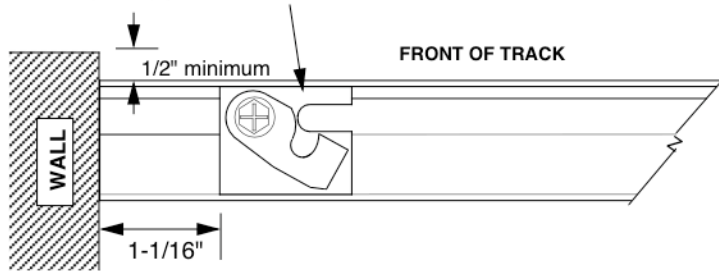


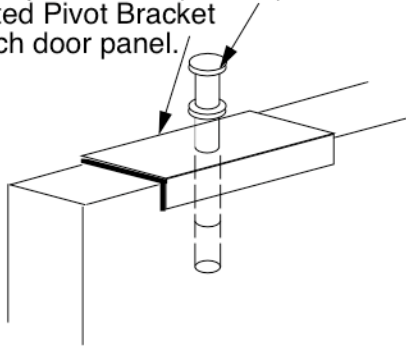
(use with Pivot Door Hardware sheet—page 3)

1. Measure the door opening and trim the metal Track to fit. **LEVEL THE TRACK.** DO NOT position Track flush with face of wall. Set Track at least 1/2" back from front edge of opening. Attach with suitable fasteners (supplied by others).

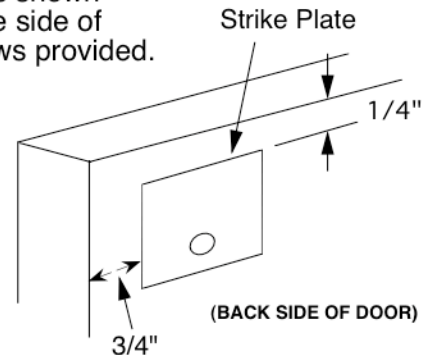
2. Position the Cam Lock Assembly approx. 1-1/16" from walls. Pre-tighten Toggle Screw (1033-1) leaving Toggle in open position.



3. Insert top Pivot Pin (1029-1) into factory mounted Pivot Bracket on each door panel.



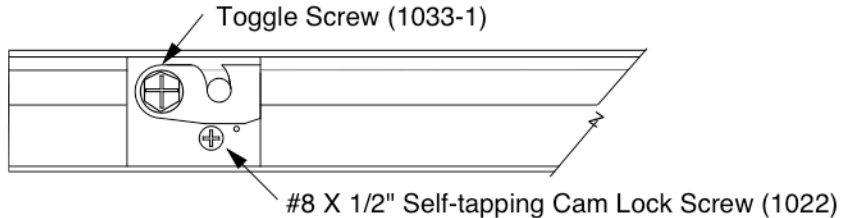
4. Attach the Strike Plate as shown on back of door, opposite side of pivot brackets. Use screws provided.



GENERAL PRECAUTION: To prevent screws from stripping out of particleboard, **never** over-torque !

5. Assemble the Floor Plate Assembly (1003-1, -2, -3, -4) as shown in diagram on page 3.
6. Position the Floor Plate Assembly so that it lines up approximately with the top Pivot bracket. Do not fasten to floor at this time.
7. Set bottom Pivot Bracket (1002—factory-mounted) onto the Floor Plate Stud (1003-2). With door in a vertical position, slip top Pivot Pin (1029-1) into the Cam Lock Assembly located inside the Track. Snap Toggle closed to engage Pivot Pin.
8. Align the door horizontally allowing 5/16" clearance at each wall (1/8" between meeting edges of multiple panel doors). Anchor the Floor Plate Assembly directly to the floor. On concrete floors, we recommend using 3/16" x 1-1/4" Tapcon concrete fasteners (supplied by others).

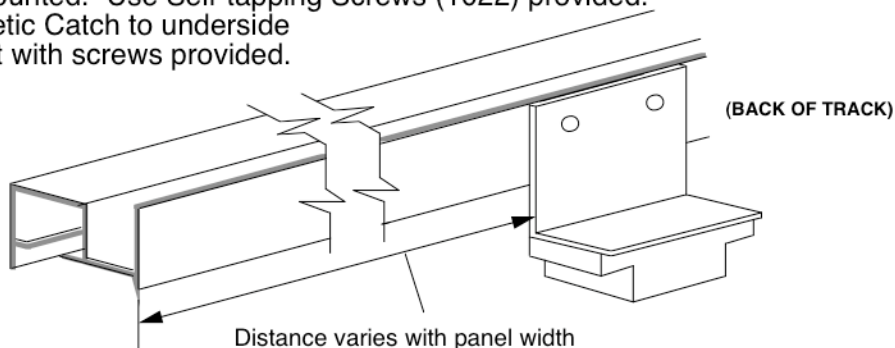
9. Tighten Toggle Screw (1033-1) in the Cam Lock Assembly



10. Align doors and check clearance in opening. Tighten Toggle Screw using wrench provided or long shaft Phillips screw driver. Insert Cam Lock Screw (1022) through Clamp Plate (1036) and fasten into Track.

CAUTION: Failure to install the Cam Lock Screw will void the warranty.

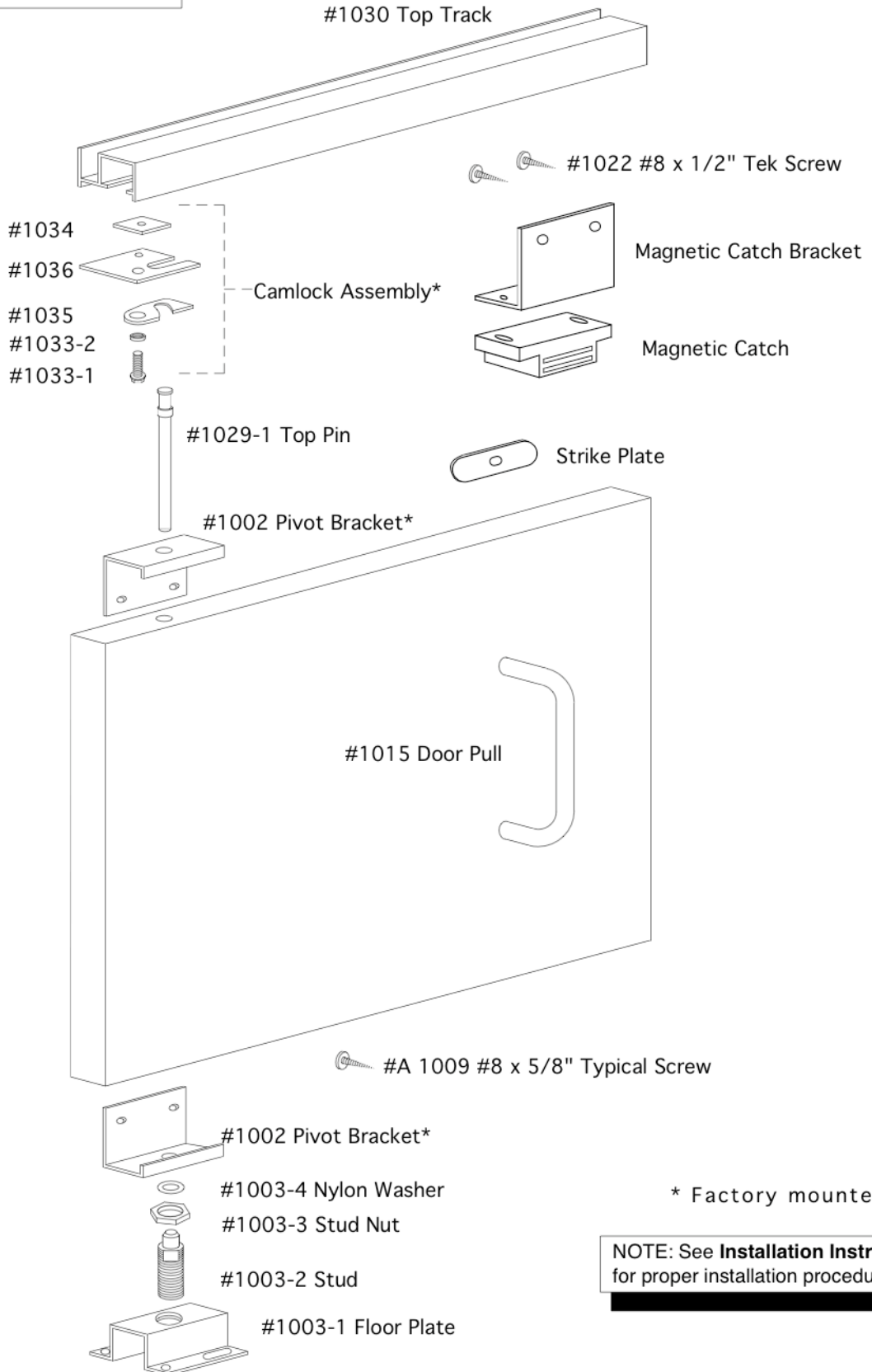
11. Attach the Magnetic Catch bracket to back of Track in line with Strike Plate previously mounted. Use Self-tapping Screws (1022) provided. Fasten Magnetic Catch to underside Catch Bracket with screws provided.



12. Set clearance between top of Door and Track from 1/4" to 7/16" by turning Stud (1003-2) in Floor Plate Assembly, with wrench provided. Tighten Stud Nut (1003-3) to lock.

13. Mount Door Pulls (1015) on pivot door with screws provided. Door Pull location is to be determined by the installer.

These Installation Instructions are provided as a guide to the proper installation of **MAGIGLIDE®** pivot closet door systems. Failure to follow tolerances detailed and explicit directions for activating locking mechanisms could void the manufacturer's warranty.



* Factory mounted

NOTE: See **Installation Instructions** for proper installation procedures