

MAGIGLIDE®

MODULAR HANDRAIL SYSTEM

Designed and engineered for Elderly Housing, Hospitals, Care Facilities, Schools, Apartments and Institutions.

- **Conforms to ADA and UFAS standards**
- **Completely Prefinished**
- **Easily and quickly installed**
- **Adjustable brackets compensate for wall variations up to 1/2"**

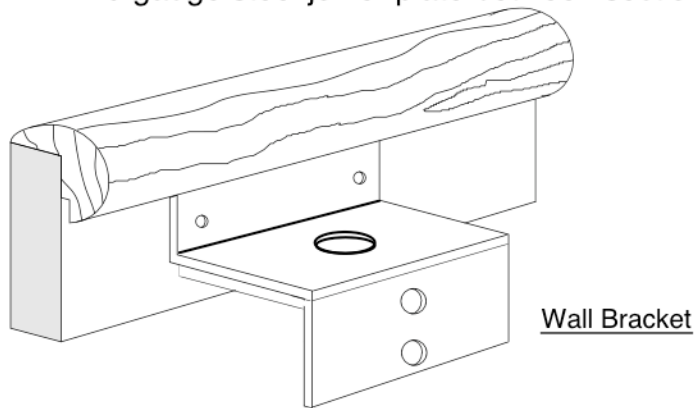
The **MAGIGLIDE®** Modular Handrail System:

Prefinished rounded gripable top cap
8' AND 10' LENGTHS STANDARD

Mounting brackets are zinc plated 10-gauge tempered steel

Interchangeable end caps

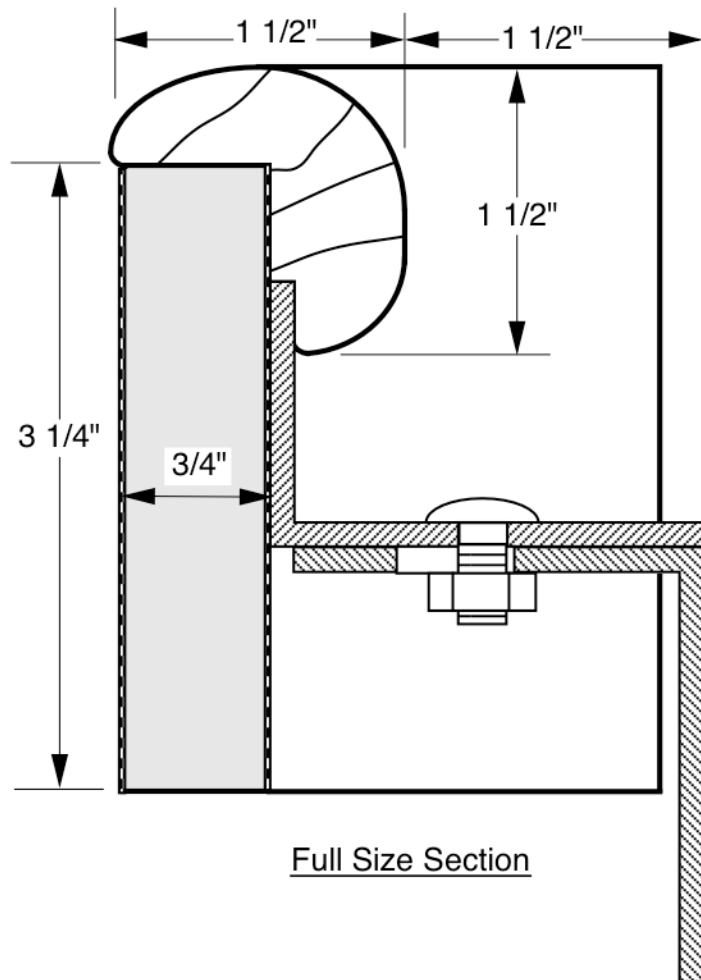
10-gauge steel joiner plate between sections



Wall Bracket

End Cap

Joiner Plate between sections



Full Size Section

LANDQUIST & SON, inc.

6428 N. Ridgeway Ave., Lincolnwood, IL. 60712 Tel (847) 674-6600
Fax (847) 674-6674



MAGIGLIDE®

MODULAR HANDRAIL SYSTEM TECHNICAL SPECIFICATIONS

Standard Features:

Handrail cap: Shall be made of red oak or approved hardwood.

Front face of handrail: Shall be red oak veneer applied to either 45# density industrial grade particleboard or medium density fiberboard (L & S option).

Handrail bracket: To be made of 10-gauge cold-rolled steel with a 2-piece design to allow 1/2" adjustment for wall irregularities, maximum span to be 48".

Joiner plate: To be made of 10-gauge cold-rolled steel.

End caps: Shall be in matching hardwood and are field installed -- special fasteners included.

Fasteners: To attach handrail brackets to handrail are included. Fasteners to attach handrail system to wall are by installer.

Handrail sections: Available in 8'-0" and 10'-0" lengths to accommodate jobsite needs.

Prefinishing: Standard colors available.

Optional Features:

Special finishes: Available upon request.

Handrail front face: Can be furnished in a high pressure laminate or a solid hardwood.

Handrail front face: Dimensions can be increased.

LANDQUIST & SON Inc.

6428 N Ridgeway Ave., Lincolnwood, IL. 60712 Tel (847) 674-6600
Fax (847) 674-6674



L
MAGIGLIDE®
S