

MAGIGLIDE®

MODULAR HANDRAIL SYSTEM

Designed and engineered for Elderly Housing, Hospitals, Special Care Facilities, Schools, Apartments and Institutions.

- **Conforms to ADA and UFAS standards**
- **Completely Prefinished**
- **Easily and quickly installed**
- **Adjustable brackets compensate for wall variations up to 1/2"**

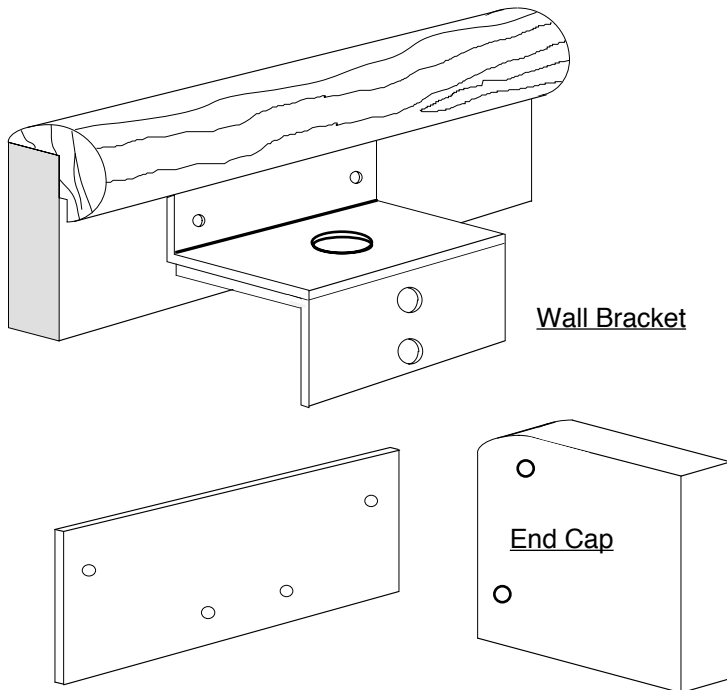
The **MAGIGLIDE®** Modular Handrail System

Prefinished rounded gripable top cap.
8' AND 10' LENGTHS STANDARD

Mounting brackets are zinc plated 10-gauge tempered steel.

Interchangeable end caps.

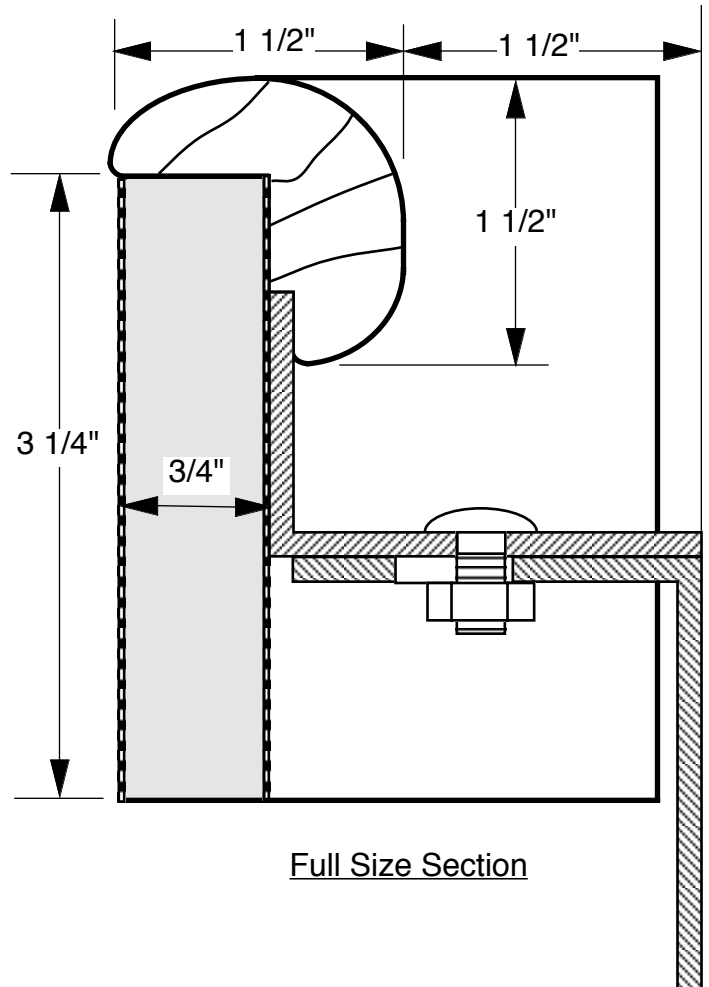
10-gauge joining plate between sections.



Wall Bracket

End Cap

Joiner Plate between sections



Full Size Section



MAGIGLIDE

MODULAR HANDRAIL SYSTEM TECHNICAL SPECIFICATIONS

Standard Features:

Handrail cap: Shall be made of red oak or approved hardwood.

Front face of handrail: Shall be red oak veneer applied to either 45# density industrial particleboard or medium density fiberboard, L. & S. option to match end cap.

Handrail bracket: To be made of 10-gauge cold-rolled steel with a 2-piece design to allow 1/2" adjustment for wall irregularities / maximum span to be 48".

Joiner plate: To be made of 10-gauge cold-rolled steel.

End caps: Shall be in matching hardwood and are field installed -- special fasteners included.

Fasteners: To attach handrail brackets to handrail are included. Fasteners to attach handrail system to wall are by **installer**.

Handrail sections: Available in 8 & 10 ft. lengths to accommodate jobsite needs.

Prefinishing: Standard colors available.

Optional Features:

Special finishes: Available upon request.

Handrail Front Face: Can be furnished in a high pressure laminate or a solid hardwood.

Handrail Front Face: Dimensions can be increased.

BRACKET BREAK DOWN

“NUMBER OF BRACKETS”

“ LENGTH OF RAILING “

2 PER PIECE

2' - 5'

3 PER PIECE

6' - 9'

4 PER PIECE

10' - 13'

5 PER PIECE

14' - 17'

6 PER PIECE

18' - 21'

7 PER PIECE

22' - 25'

8 PER PIECE

26' - 29'

9 PER PIECE

30' - 33'

L & S *MAGIGLIDE* HANDRAIL SPECIFICATIONS

L & S *Magiglide* Handrail:

Handrail to have Red Oak veneer on particleboard or MDF substrate (mill option) with a prefinished wood cap. Top cap to be oak. Prefinished wood color to be selected by Owner.

Prefinished end caps to be supplied loose. End cap material to be oak, finished to match top cap of handrail.

Handrail is shipped in 8'0" and 10'0" lengths.

All handrail spans to be field verified. All handrail to be cut in field.

Mounting brackets and joining plates are zinc plated 10-gauge steel.

Wall mounting fasteners are not included.

COLOR SELECTION _____